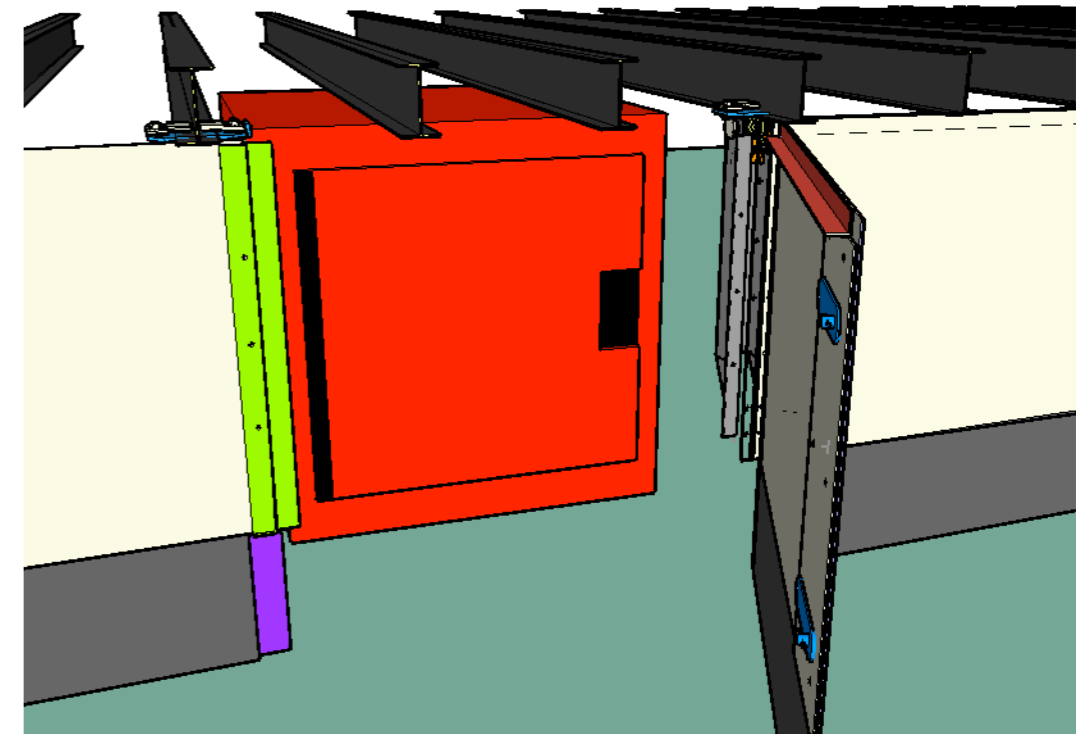
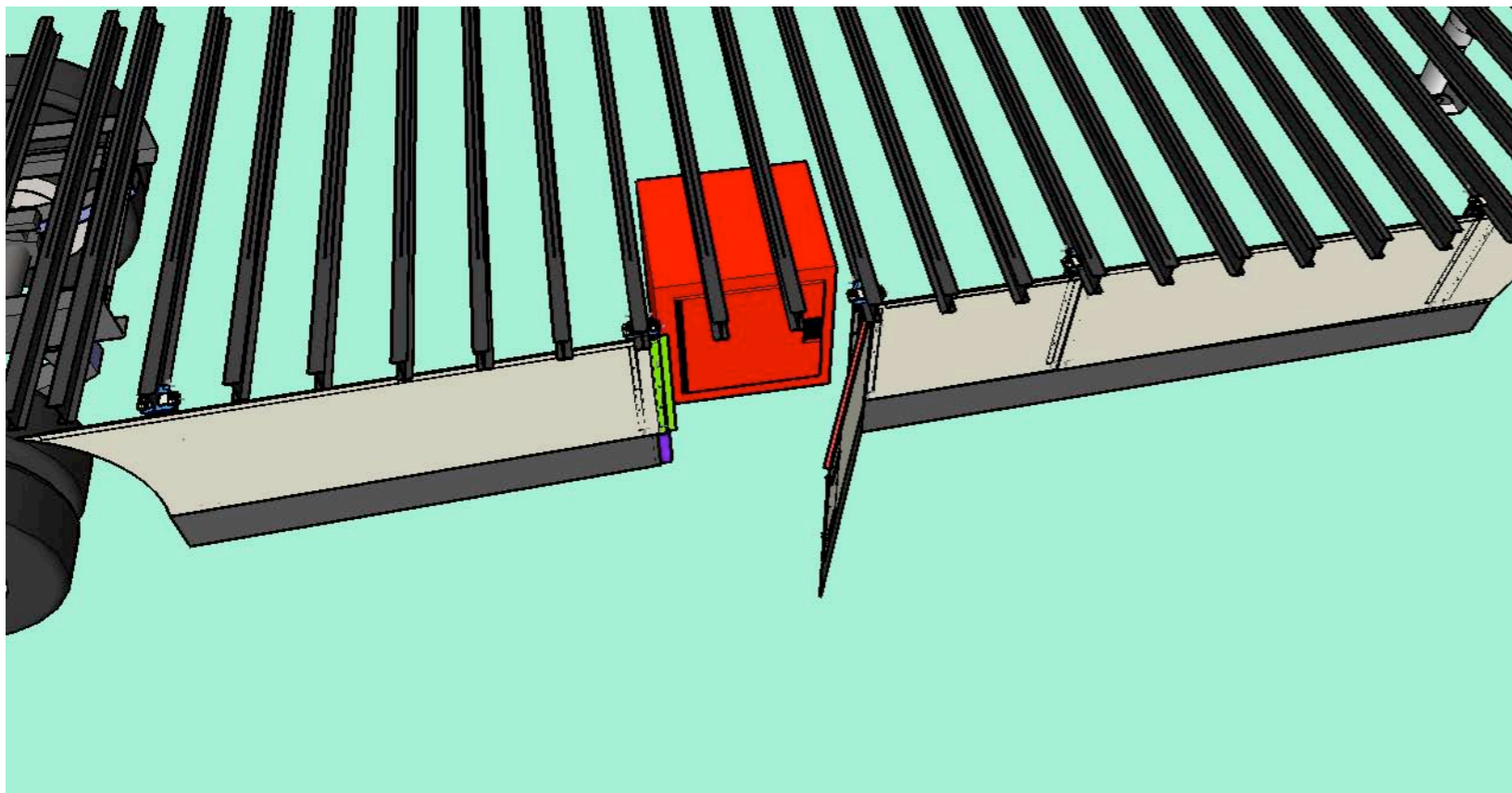
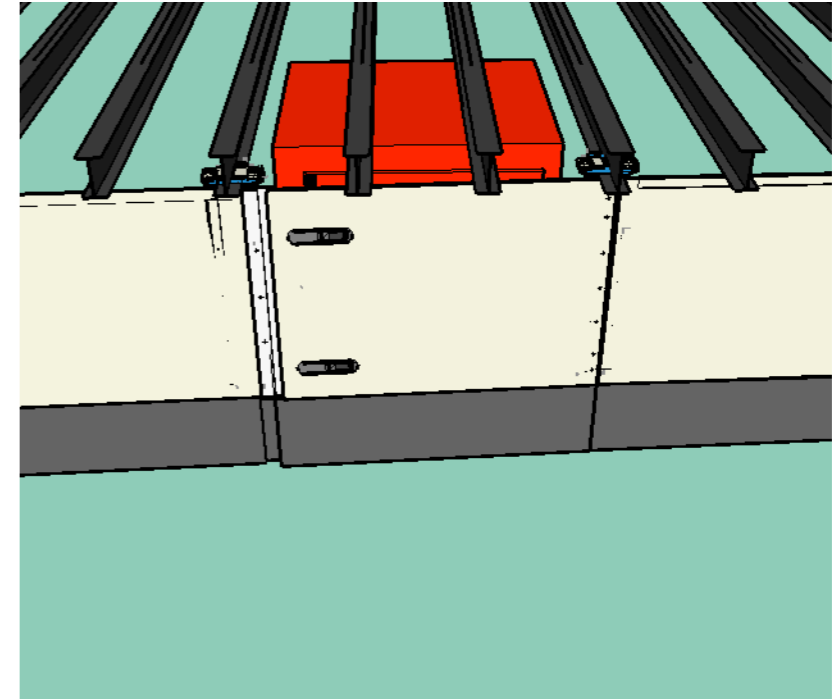
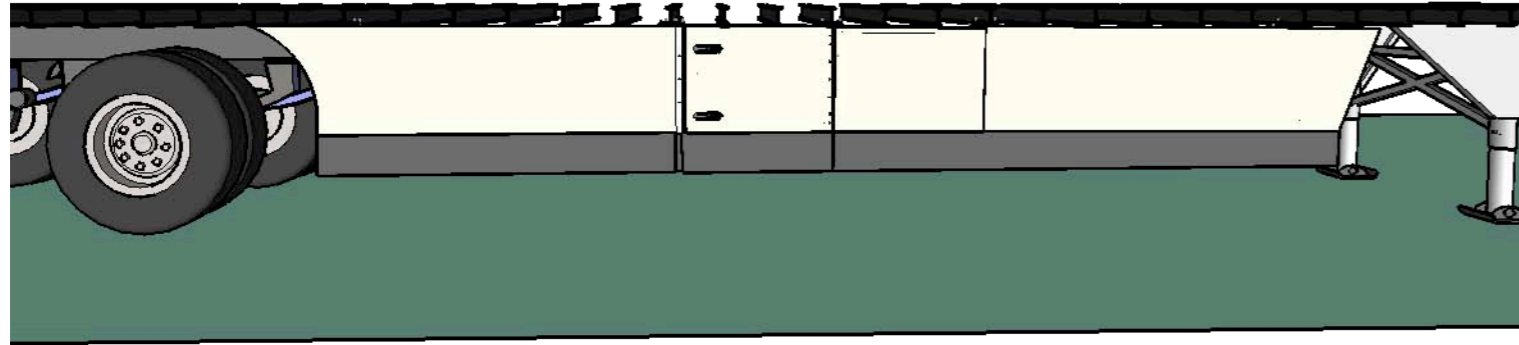
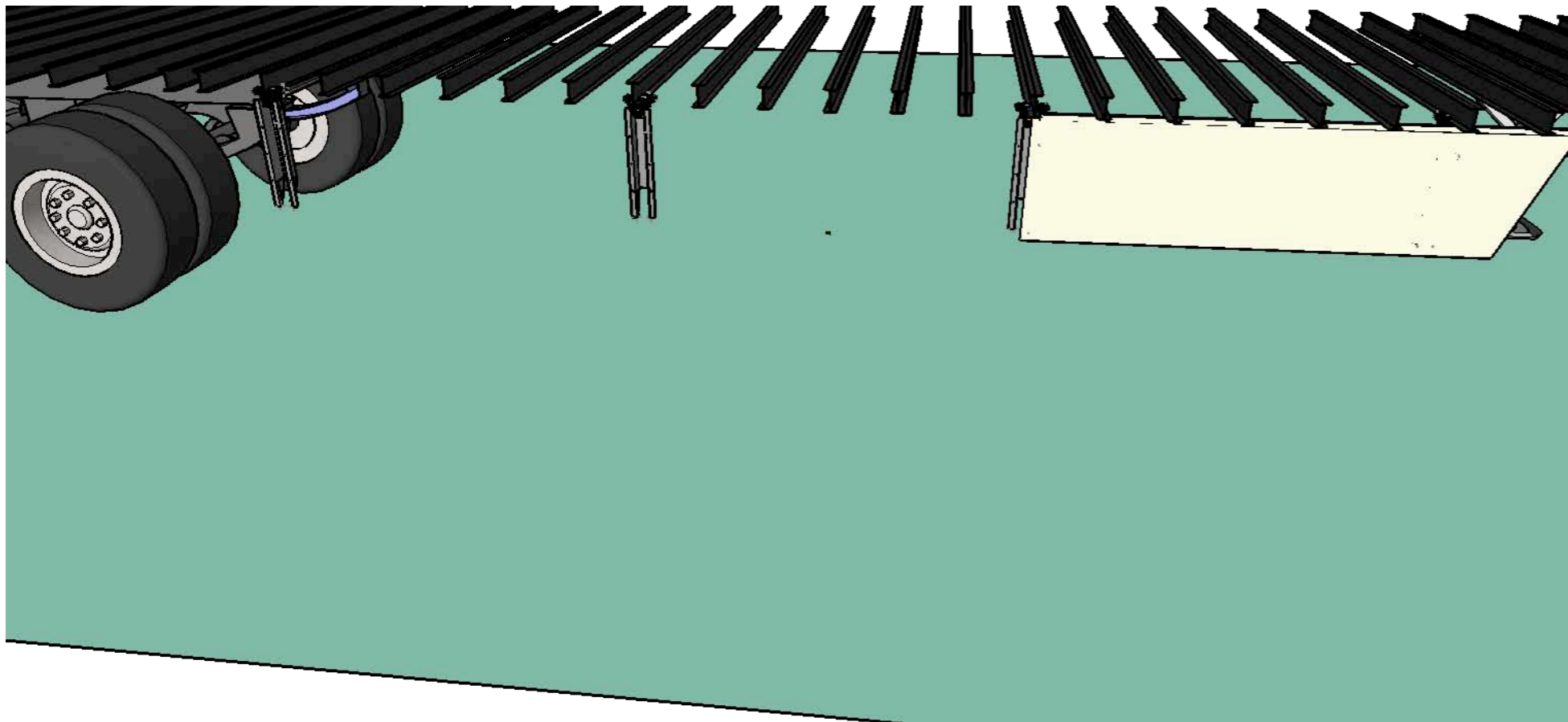
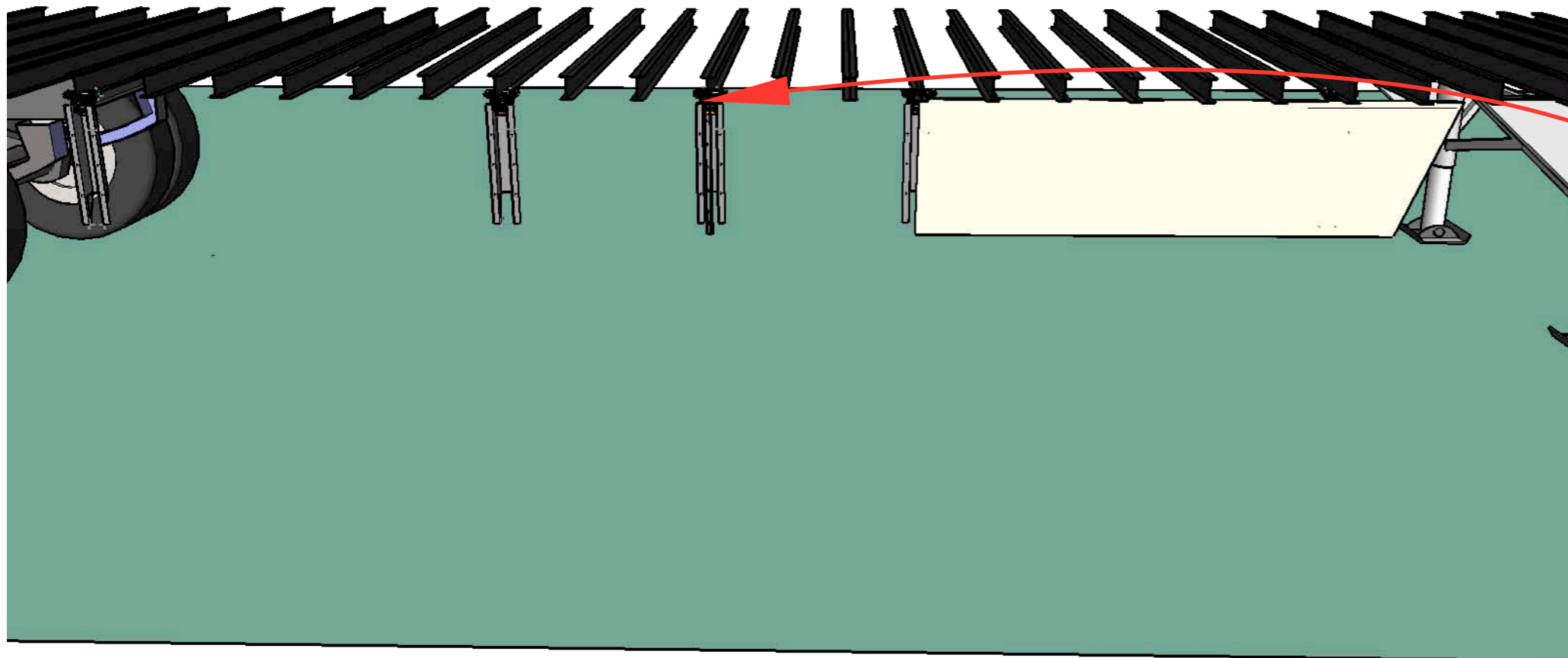


TrailerBlade Door



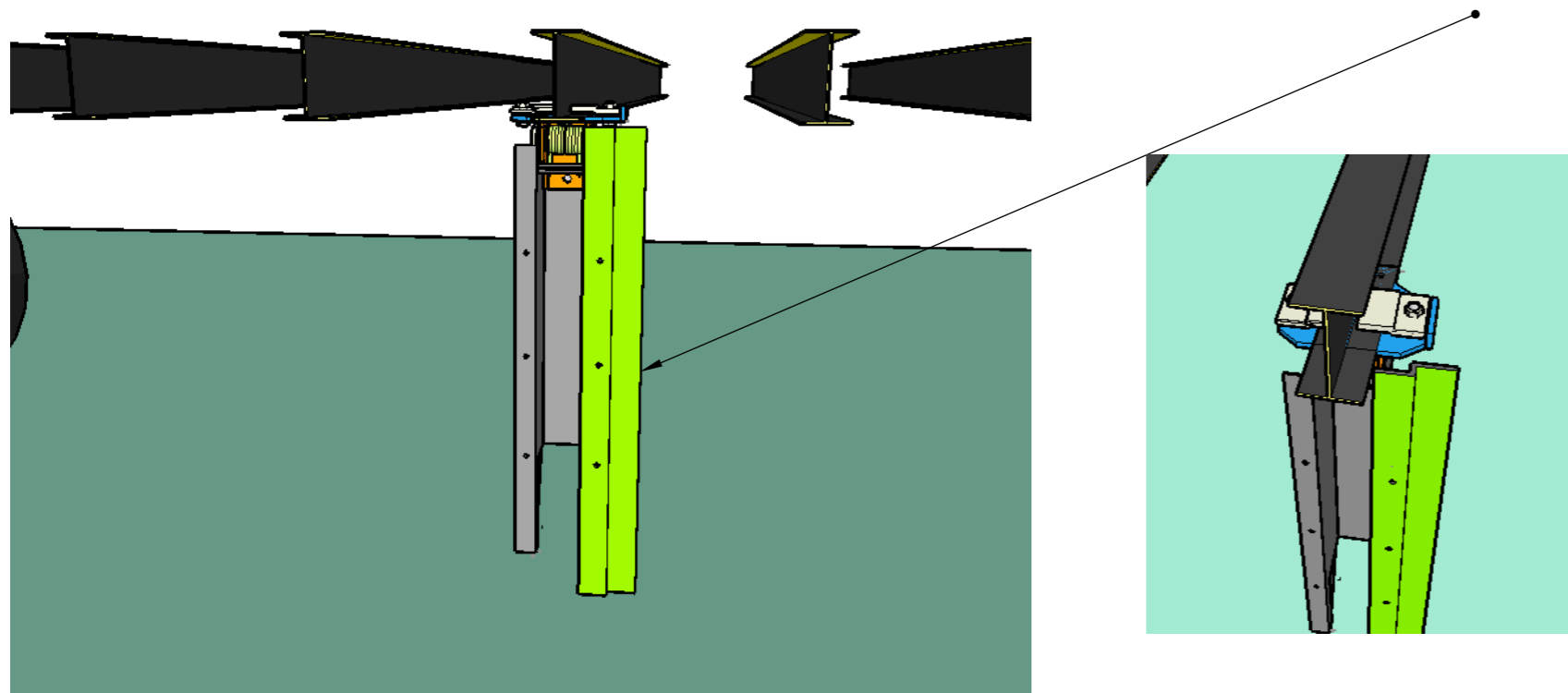


Install struts and the panel that is forward of the door (if applicable) as usual.

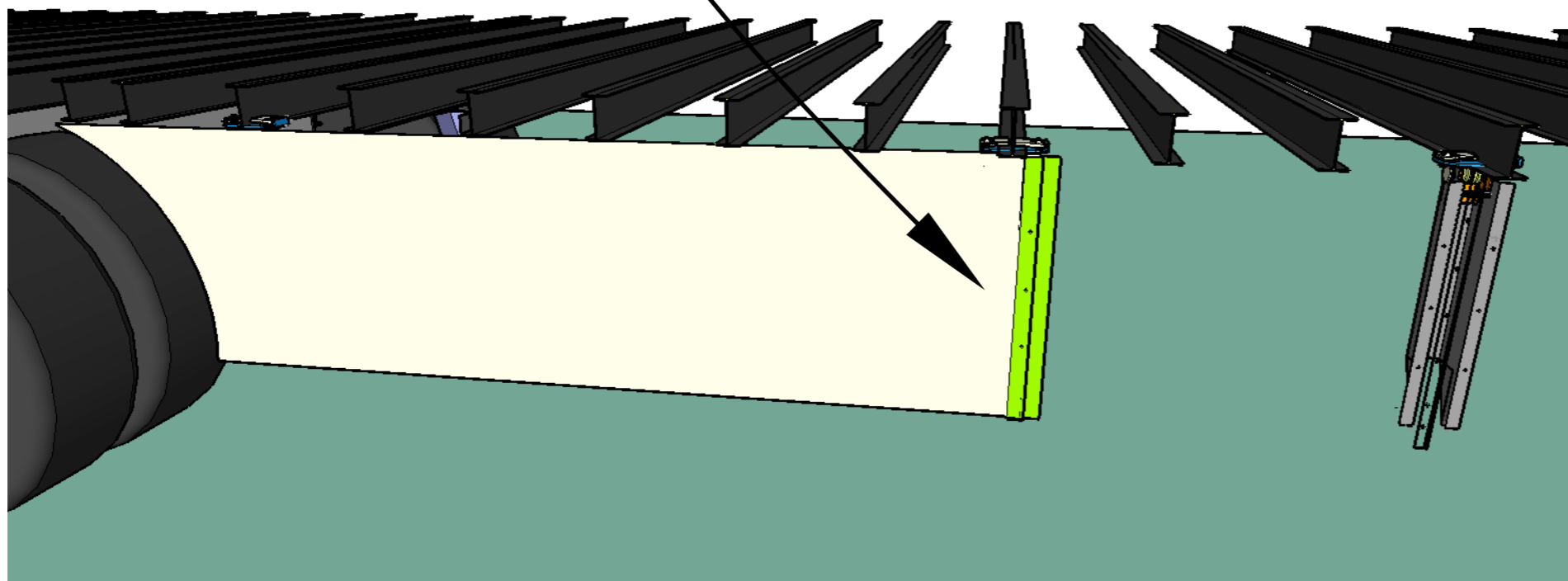


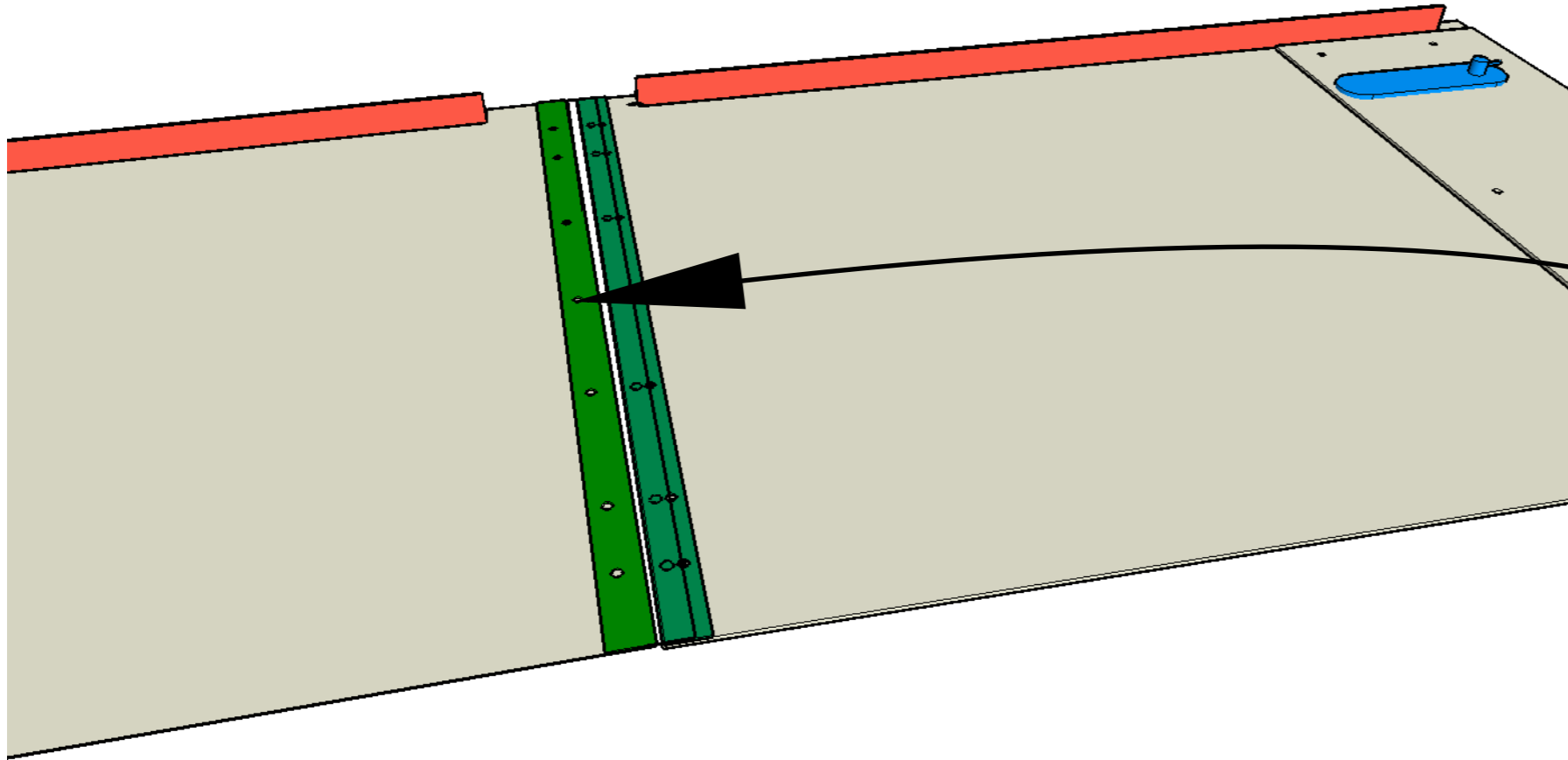
Install additional strut at either 3 or 4 feet distance, depending on the size of the door.

Rivet the Astragal (highlighted in green) to strut. The astragal is pre-drilled to match the holes in the strut.



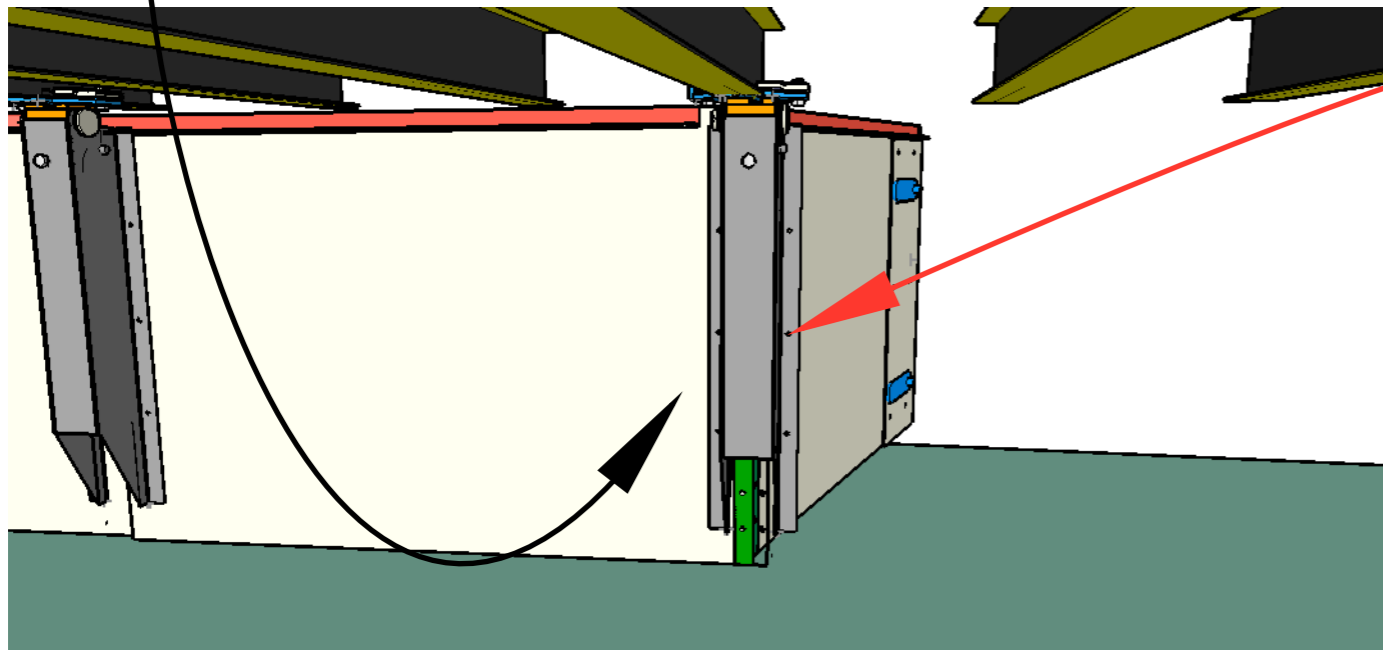
Install the rearward panel as normal. The panel abuts the astragal (highlighted in green).



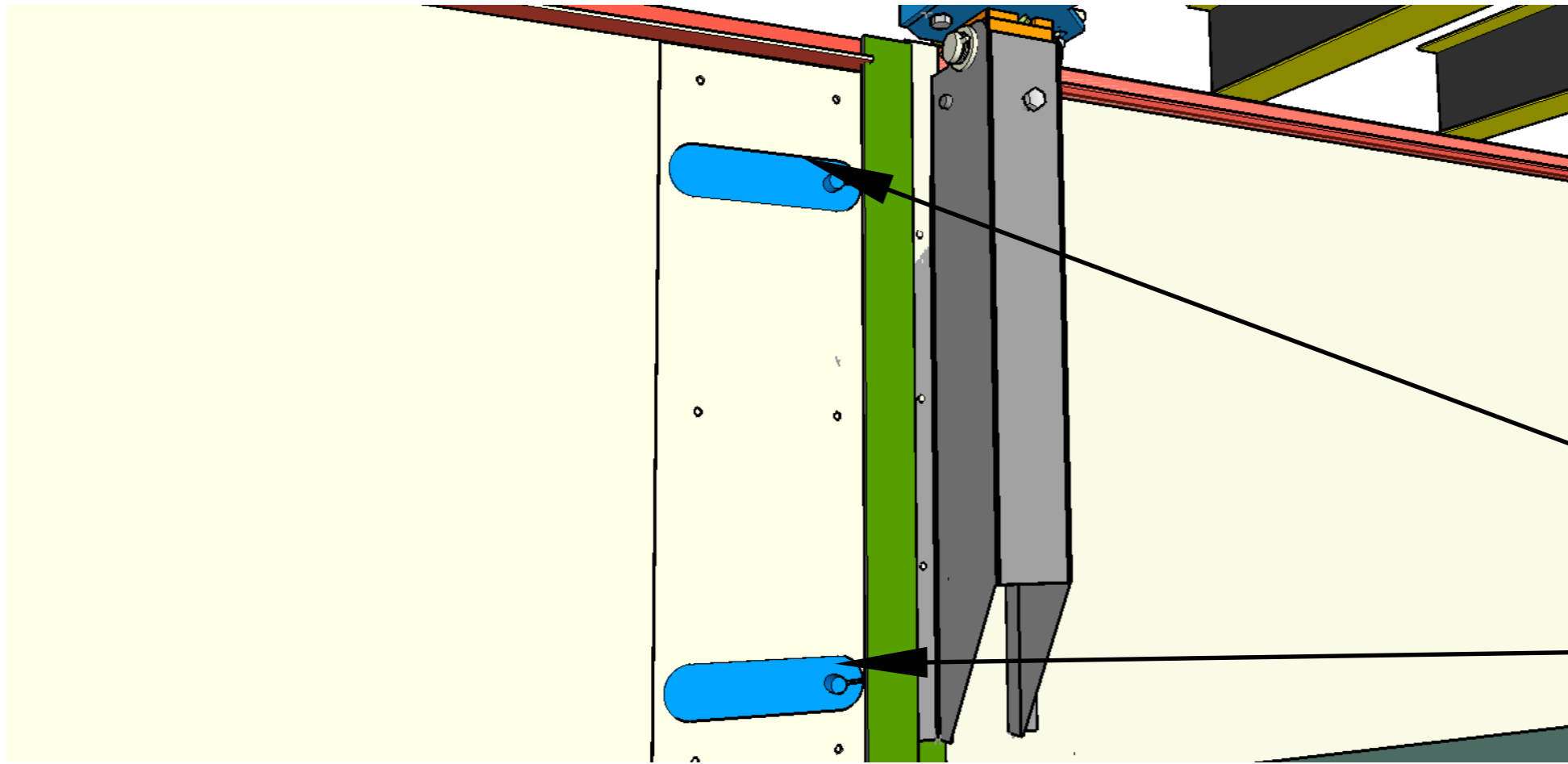


Join the trimmed panel to the door by drilling the panel and riveting it to the piano hinge (highlighted in green) that is already attached to the door.

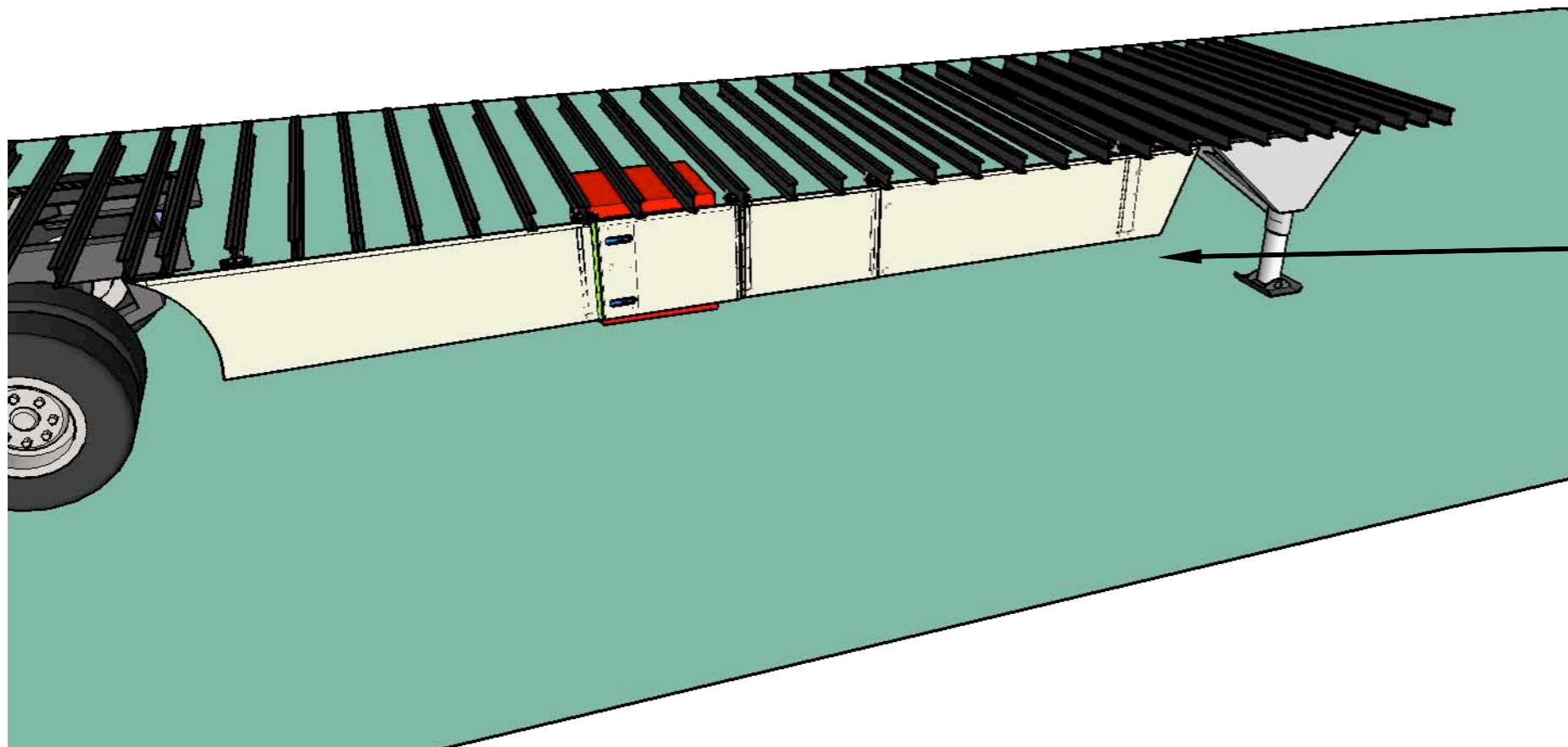
Rivet the trimmed panel to the forward edge of the forward strut. Be sure NOT to rivet the door to the strut.



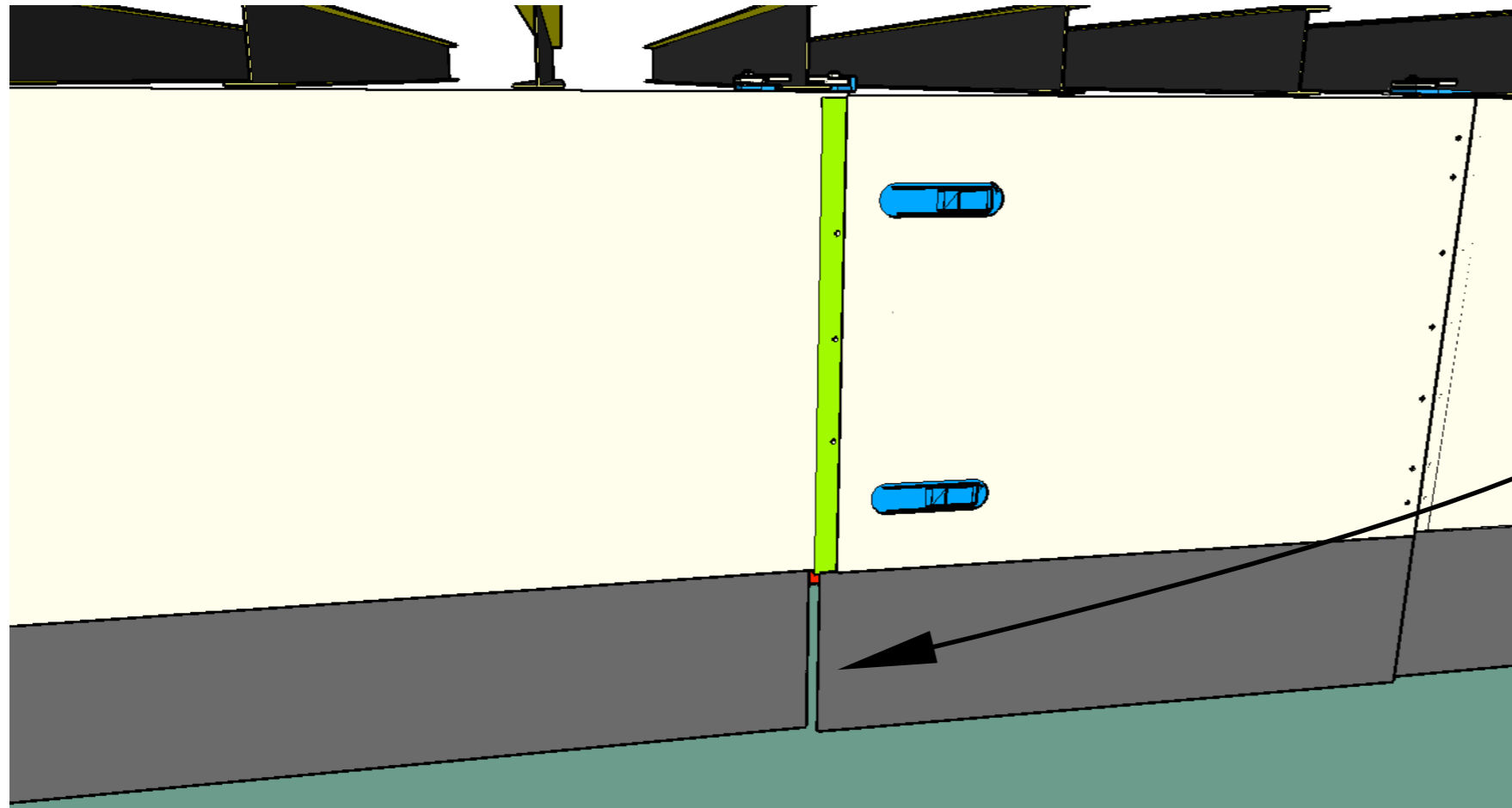
DO NOT RIVET HERE !!



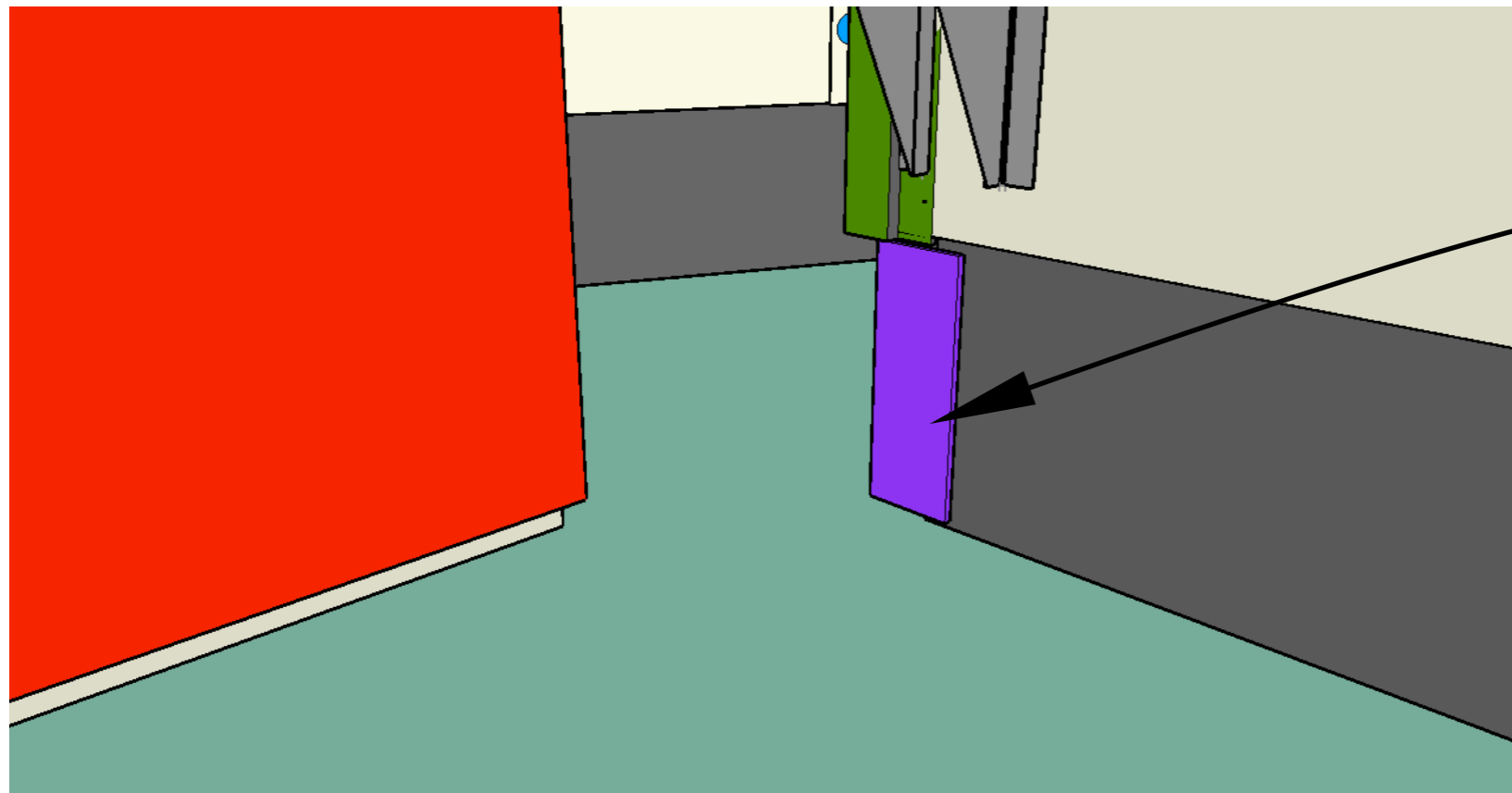
Make sure the door is in the closed position. Adjust the latches (highlighted in blue) as necessary.



With the door in the closed position, install the lower rubber skirt as normal.



Cut rubber skirt
at door opening



Open the door and rivet the
Rubber Filler to the lower
rubber skirt (filler is
highlighted in purple).