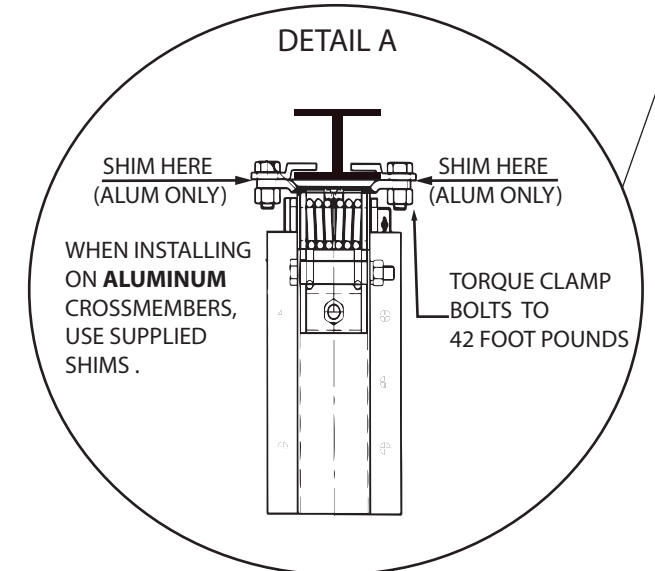


APPLY THE WARNING LABEL 6" BELOW TOP OF SKIRT. CENTER WARNING LABEL BETWEEN STRUT RIVETS AND EDGE OF SKIRT (BOTH SIDES MANDATORY).



INSTALLATION SUMMARY

- A. CLAMP STRUTS TO CROSSMEMBERS. TORQUE CLAMP BOLTS TO 42FT LBS. IF CROSSMEMBERS ARE ALUMINUM, USE SUPPLIED SHIMS (SEE DETAIL A)
- B. ATTACH PANELS TO STRUTS WITH SUPPLIED S.S. RIVETS. APPLY AT LEAST ONE I.D. PLATE WHEN ATTACHING REAR PANEL.
- C. ATTACH LOWER SKIRT WITH SUPPLIED 1/4" ALUM. RIVETS AND SQUARE ALUMINUM WASHERS.
- D. ATTACH SAFETY CABLES USING EITHER SUPPLIED TEK SCREWS OR OPTIONAL 1/4" BOLTS (DETAIL B).
- E. APPLY WARNING STICKERS.

ITEM	PART NO.	DESCRIPTION	QTY
1	204101	CENTER PANEL	2
2	204102	ROADSIDE FRONT PANEL	1
3	204103	CURBSIDE FRONT PANEL	1
4	204104	ROADSIDE REAR PANEL	1
5	204105	CURBSIDE REAR PANEL	1
6	204106	LOWER SKIRT	2
7	204108	STRUT	8
-	204112	HARDWARE KIT	1

STREHL, LLC SCOTTSDALE, AZ	TOLERANCES UNLESS OTHERWISE SPECIFIED ASSEMBLY'S DECIMAL = ±0.25"	DRAWN IDM	DATE
	ANGULAR ±1°	CHECKED	DATE

This drawing is confidential information intended only for engineering use and may be privileged. If the receiver of this drawing is not the intended recipient or the employee or agent responsible to deliver it to the intended recipient, you are hereby notified that any dissemination, distribution, or copying of this communication is strictly prohibited. If you have received this communication in error, please immediately notify us by telephone at (602) 616-0985, and destroy the drawing.



TRAILERBLADE MODEL 715

CUSTOMER/FLEET

NOTES
STANDARD DRY VAN CONFIGURATION

PART NUMBER
204000

CUSTOMER ORDER NUMBER